

## GENERAL INSTALLATION/SPECIFICATION GUIDE

### *Please Note!!*

#### Tools Required For Assembly

4mm & 5mm allen wrenches.  
#2 Phillips & #2 Square screw driver.  
1/4" x 20 thread tap.

### Step 1:

(A) Slide brackets into rail, recommended maximum spacing 32 inches apart, the brackets for the end of the rail should be placed flush at the ends. Pre-drill holes in wood if needed and screw brackets in place.



Aluminum Rail Rod



Horizontal Bracket  
(Roller type)



Vertical Bracket  
(Roller type)



Vertical Bracket  
(Hook type)



End View

(B) Use the Alignment Pin and Alignment Bar to connect rails together. (If applicable)



Steel Dowel

Alignment Pin & Bar inserted into rail to connect another section of rail



(C) Tap the end of the rail with a 1/4 x 20 tap (not supplied) to screw in the end stop finial (done before installation of rail). Install end stop with screw provided.

**Note:** Leave at least a **7 inch clearance** above the rail for the top guide hardware to operate properly, and allow the ladder to move against the wall for storage.



## Step 2:

Pre drill  $23/64$ " holes for rung support rods below rung and screws for rung installation



Install rung with screws provided #8x2",

Install rung support rods



## Step 3:

Drill holes and install top guides to ladder centering the top dowel (top dowel recommended) of the ladder. The placement of the holes will allow a small adjustment of height of ladder, either up or down.



## Step 4:

Drill holes and install top Round Top Support Dowel



Round Top Support Turning  
16-1/4" long x 1-1/4" Dia., 7/8" Dia. ends.  
14-3/8" Inside Width Un-finished

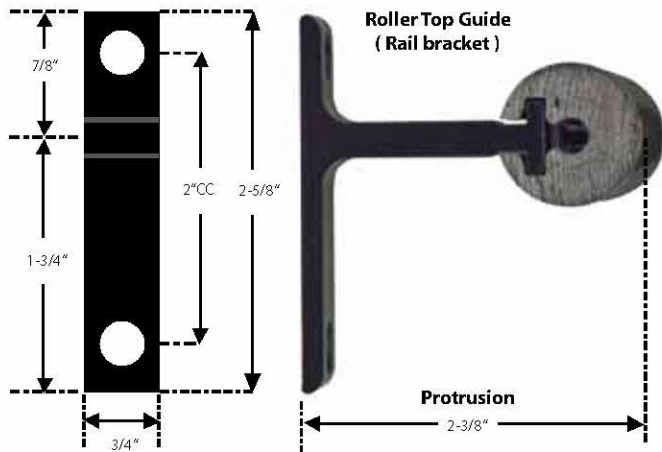
## Step 5:

Line up bottom rollers vertical to the floor when ladder is in the climbing position pre-drill holes and install bottom rollers.

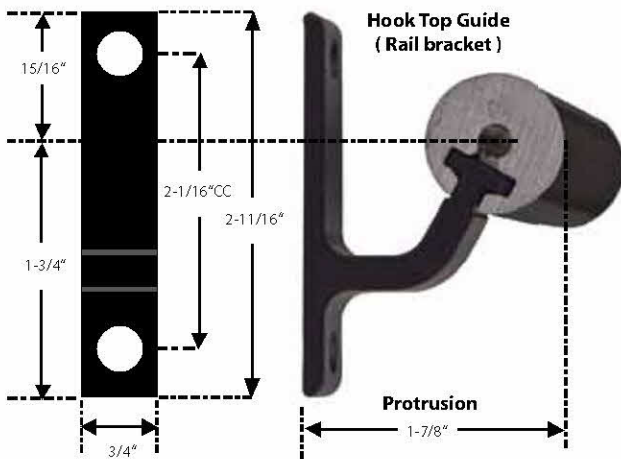


Ladder in the climbing position    Ladder in the stored position

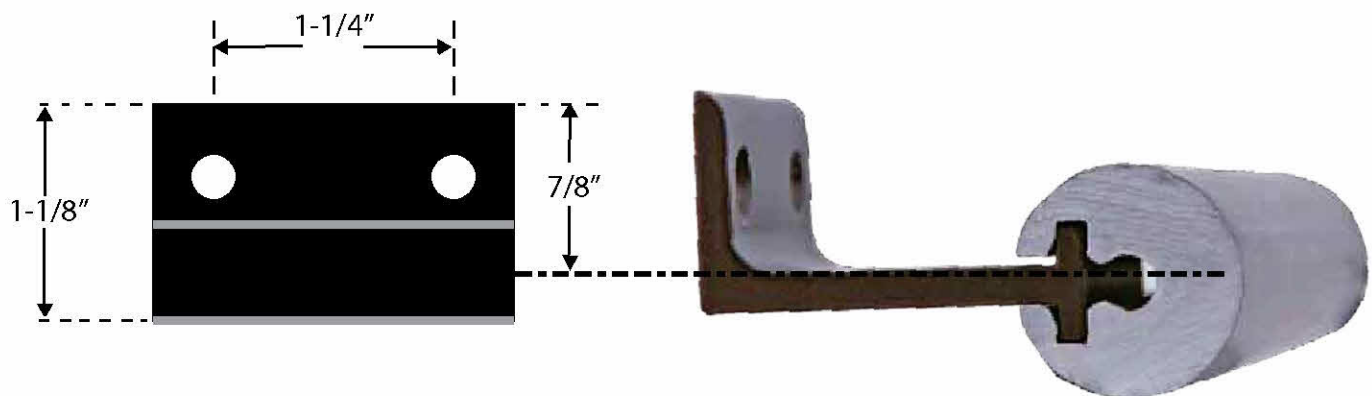
## Rail Bracket - Roller type



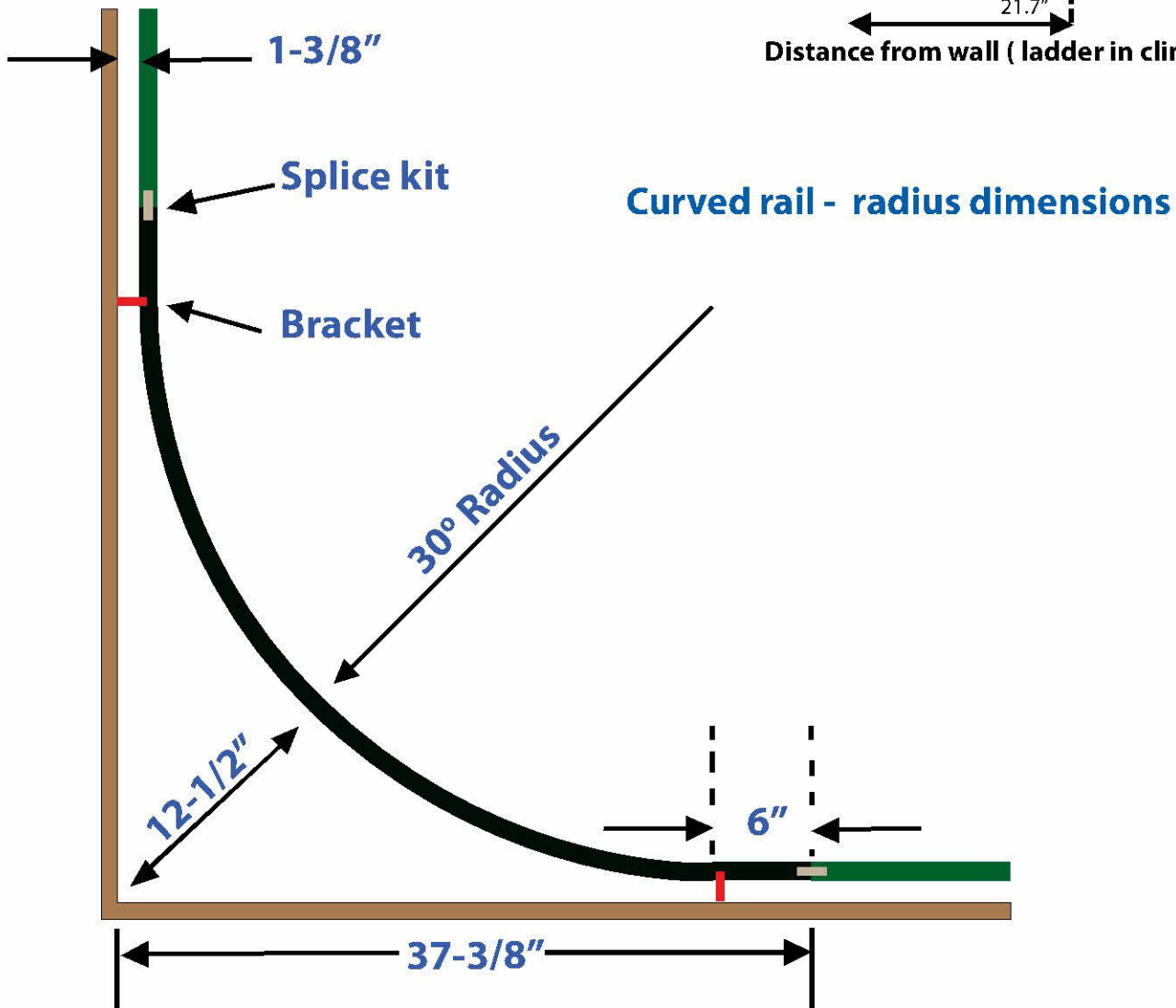
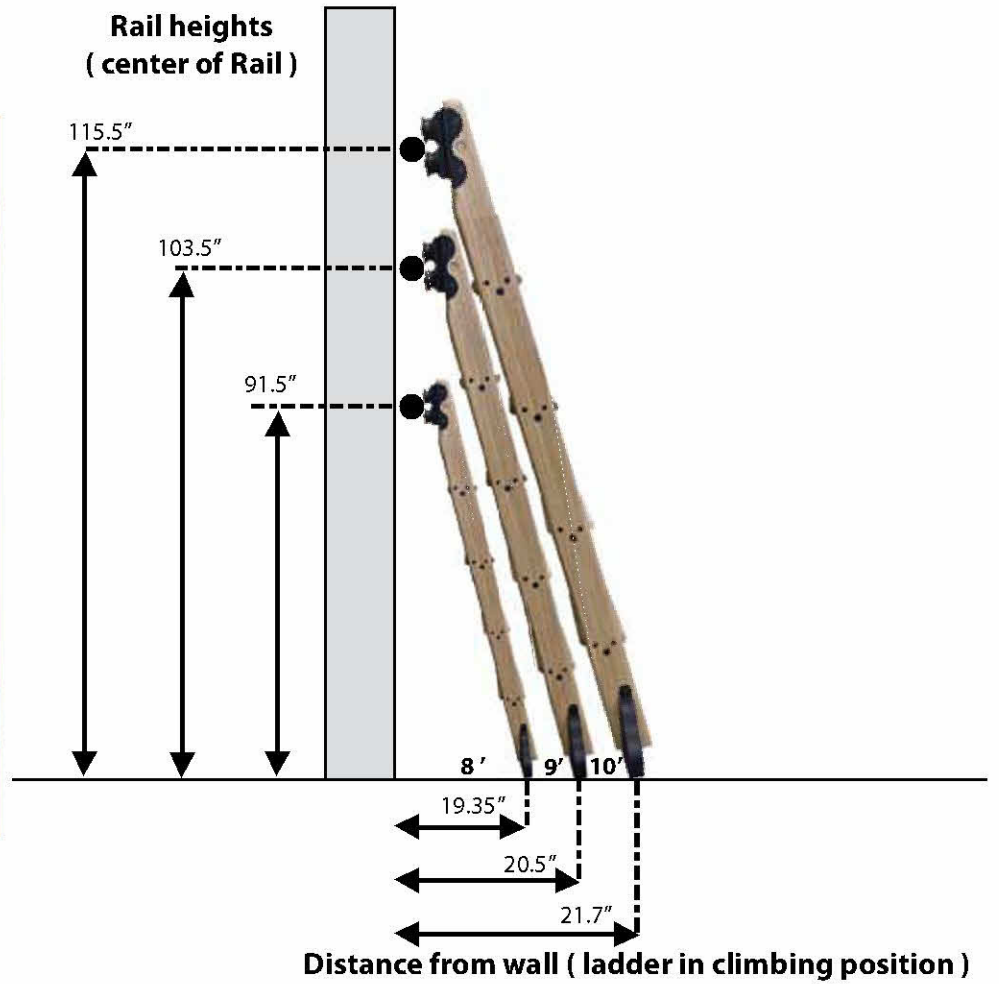
## Rail Bracket - Hook type



## Rail Bracket - Horizontal Roller type



## Rail Height and distance for 8', 9', 10' standard ladders



# Make your own Ladder

To determine length of ladder: Measure from the center of rail to the floor, then add five inches to the measurement.

